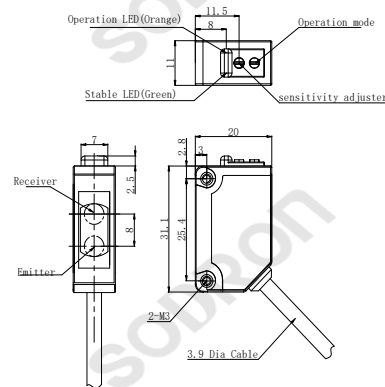




CE

Dimension**Model**

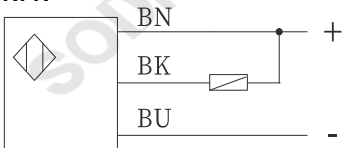
PF31V-P03BNSR
PF31V-P03BPSR

Technical parameters

Detection method	Retro-reflective
Model	NPN PF31V-P03BNSR PNP PF31V-P03BPSR
Sensing distance	3m (with a 40 x 60 mm reflector)
Standard target	> Φ 75mm (Opaque object)
Output mode	Light ON/Dark ON (Adjustable)
Light source	620nm Red LED
Supply power	DC 12 ~ 24V \pm 10% , impulse (P-P) < 10%
Directivity angle	2~10°
Residual voltage	< 2V (Load Current: \leq 100mA)
Current consumption	< 12mA
Load current	\leq 100mA
Circuit protection	Power reverse indirection connection protection, short-circuit protection
Response time	< 1ms
Indicator light	Output LED: Orange LED、 Power/stable: Green LED
Connection	Cable 2m
Ambient temperature	Work: -25 ~ +55°C; Store: -30 ~ +70°C (No dew condensation or icing allowed)
Ambient humidity	Work: 35 ~ 85%RH, Store: 35 ~ 95%RH, (No dew condensation)
Ambient illumination	Sunlight :10,000Lx, lamplight:3,000Lx
Withstand voltage	1000 VAC, 50/60 Hz, 1 min.
Insulation resistance	> 20M Ω (DC500V megger) between current-carrying parts and case
Anti-vibration	10~55Hz double-amplitude 1.5mmX,Y,Z 2h
Impact resistance	500 m/s ² (X, Y, Z directions, 3 times)
Protection degree	IEC IP67
Material	Housing PBT Lens PMMA

Product Features

- Retro-reflective Sensor with M.S.R.
- ASIC, Fast Response, High Frequency
- Oil and corrosion resistant housing material
- IEC IP67

Connection**NPN****PNP**